



Serie 4000PFP

- OEM Print Module
- Sturdy
- Reliable
- Ease of Operation
- Quick Changeover
- Versatile

Series 4000PFP is our high-end dispenser - made to be used many hours per day - in demanding applications and it only requires a minimum of maintenance. The oversized stepper motor ensures quiet and precise labelling. Connecting an encoder makes Series 4000 the right choice for mounting on intermittent packaging machines or machines running variable speed - Series 4000 will do the job!

Series 4000PFP is recognized by its industrial and compact design and can be mounted with print-engines from companies such as Cab, Datamax, Sato, Carl Valentin and Zebra.

The loop-function allows to chose the printer settings for optimum print quality no matter if the dispensing speed is higher or varying.

Series 4000PFP is available in different versions all based on the same basic module. The difference lies solely in the maximum possible label width and diameter of the label roll.

The separate controller can store up to 25 different labelling programs incl. settings for external devices - this means very short changeover times. The controller's backlit display and 16 keys with icons make the daily operation easy and intuitive.



Model

Label, maximum width incl. carrier
 Label, minimum width incl. carrier
 Label length, minimum
 Label length, maximum
 Speed, variable from
 Labels per minute, up to
 Label roll, maximum O.D
 Label roll, minimum I.D.

5-phase stepper motor with micro stepping
 Controller, microprocessor/keyboard with icons
 Backlit LCD display
 Menu languages
 Memory in controller for
 Weight (controller)
 Weight (dispenser, without labels)
 Power / consumption

4-120PFP	4-200PFP
105	185
15mm	
10mm	
Standard: 250mm - Option: 999mm	
0-40m/min.	0-30m/min.
500	200
Standard Ø270mm - Option 310mm or 400mm	
Minimum 40 mm (3' / 76mm recommended)	
Yes	
Yes	
Yes	
Danish, Dutch, English, French, German, Norwegian, Polish, Swedish	
25 labeling programs	
7 kilo	
18 kilo	24 kilo
230VAC 50/60Hz / max. 250 watt in operation	

Options:

Moveable dispenser tongue
 Label gap micro switch
 Ultrasonic sensor
 Motorized label off-winder
 Encoder (tacho)
 Warning for "label roll near end"
 Warning for "end of labels"
 Beacon
 Counter functions
 Key lock facility
 External signal interface (I/O)

Spring-loaded or pneumatic (variable product height or product contour)
 When using transparent labels
 When using both transparent and opaque labels.
 Recommended for heavy label rolls and demand for low tolerances/high speed.
 For step less varying dispensing speed (continuously adjusted while dispensing)
 From I/O, requires beacon
 Text message in controller
 For visualization of above signals.
 Continuous counting. Other functionality on request.
 To prevent changes in memory settings
 For controlling an optional product separator, reject-system etc. Enables integration with vision, barcode scanner, sensors etc.

EME Serie 4000PFP to be mounted with print engines from leading manufacturers like:



CAB



Datamax



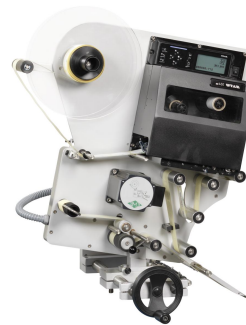
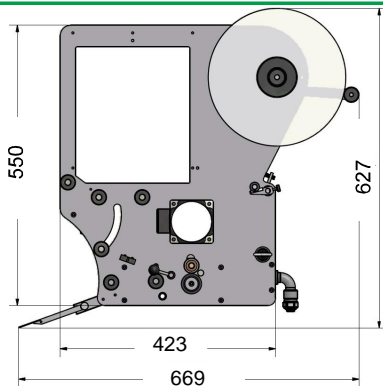
SATO



Carl Valentin



Zebra



Model 4-120PFP-LH (Left-Hand)



Model 4-120PFP-RH (Right-Hand)

Specifications are liable to change without prior notice.

